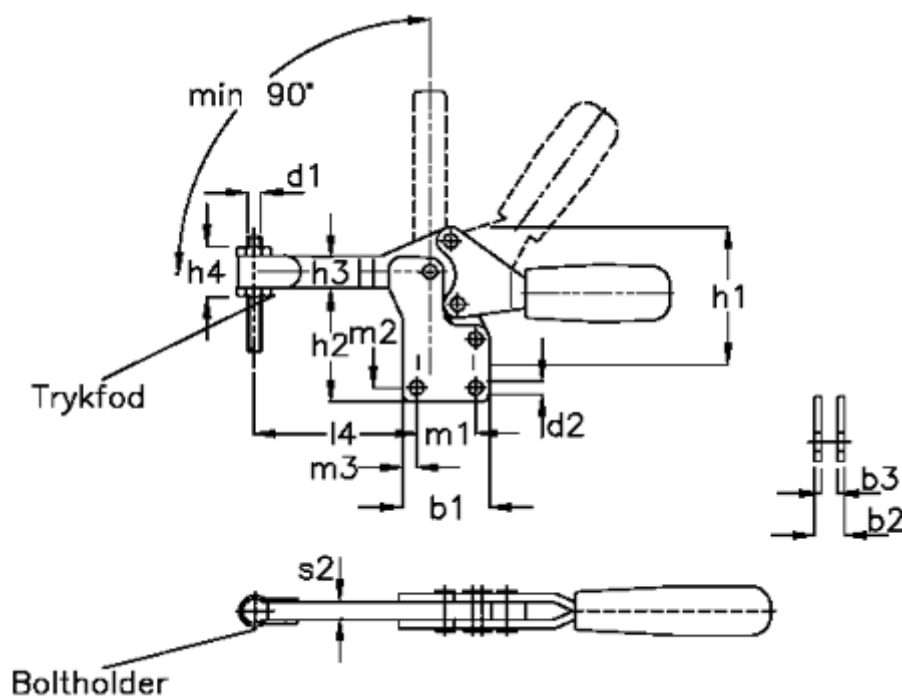


Article number: 201356046A1

Description: E+G Klee horizontal clamp, st. steel
GN 820.1-75-P-NI

Measures



b1 = 28	Holding force N = 900	s = 4
b2 = 8	l1 = 118	Size = 75
b3 = 4	l2 = 67	
d1 = M5	l4 = 49,5	
d2 = 4.5	m1 = 13.5	
h1 = 45.5	m2 = 4.5	
h2 = 27.5	m3 = 7.2	
h3 = 11	r = 43.0	